



TABLE OF CONTENTS

Test Sieves

8" Diameter.....	3
12" Diameter	4
3" Diameter.....	5
Air Jet.....	5
200mm Diameter	6
6" Diameter.....	7
10" Diameter	7
18" Diameter	8
Gold Series	8
Special Test Sieve Products (Wet Wash).....	9
Tyler Sieving Software & Ultrasonic Screening System.....	10
Computerized Particle Analyzer (CPA) Size and Shape.....	11
Laboratory Services	12 & 13
Ro-Tap® RX-29 & Ro-Tap® RX-30 Test Sieve Shakers.....	14
Ro-Tap® RX-29-E & Ro-Tap® RX-30-E Test Siever Shakers	15
Ro-Tap® Maintenance Kits.....	15
Ro-Tap® RX-94 Test Sieve Shaker	16
RX-812 Coarse Sieve Shaker	16
Sound Enclosure Cabinets	17
Test Stand.....	17
Sieving Accessories.....	18
Sampling Devices/Ro-Tap® Conversion Kits.....	19
Ro-Tap® RX-29 & RX-30 Parts Diagram.....	20
Ro-Tap® RX-29 & RX-30 Parts List.....	21
Ro-Tap® RX-94 Parts Diagram	22
Ro-Tap® RX-94 Parts List.....	23
RX-812 Coarse Sieve Shaker Parts Diagram	24
RX-812 Coarse Sieve Shaker Parts List	25
Industrial Group Related Products.....	26
NIST Document of Certification	IBC



TYLER SIEVING SOFTWARE 3.0.....	10
SPINNING RIFFLER - SAMPLING DEVICE.....	19

CATALOG NOTES:

1. Prices shown are suggested for end-user sales.
2. Prices are subject to change without prior notice.
3. Freight Terms: F.O.B. Mentor, Ohio



****PRICE REVISION - effective March 1, 2010,
price levels for Test Sieve Products will be held
current with 2009 pricing.**

8" DIAMETER TEST SIEVES

DESIGNATION		BRASS FRAME — BRASS CLOTH			BRASS FRAME — STAINLESS CLOTH			STAINLESS FRAME — STAINLESS CLOTH		
U.S.A.	METRIC	FULL HT. PART #	HALF HT. PART #	PRICE (\$)	FULL HT. PART #	HALF HT. PART #	PRICE (\$)	FULL HT. PART #	HALF HT. PART #	PRICE (\$)
4"	100 mm	—	—	—	4835	—	—	5167	—	—
3-1/2"	90 mm	—	—	—	4836	—	—	5168	—	—
3"	75 mm	—	—	—	4837	—	—	5169	—	—
2-1/2"	63 mm	—	—	—	4838	—	—	5170	—	—
2.12"	53 mm	—	—	—	4839	—	—	5171	—	—
2"	50 mm	—	—	—	4840	—	—	5172	—	—
1-3/4"	45 mm	—	—	—	4841	—	—	5173	—	—
1-1/2"	37.5 mm	—	—	—	4842	—	—	5174	—	—
1-1/4"	31.5 mm	—	—	—	4843	—	—	5175	—	—
1.06"	26.5 mm	—	—	—	4844	—	—	5176	—	—
1"	25.0 mm	—	—	—	4845	—	—	5177	—	—
7/8"	22.4 mm	—	—	—	4846	—	—	5178	—	—
3/4"	19.0 mm	—	—	—	4847	—	—	5179	—	—
5/8"	16.0 mm	—	—	—	4848	—	—	5180	—	—
.530"	13.2 mm	—	—	—	4849	—	—	5181	—	—
1/2"	12.5 mm	—	—	—	4850	—	—	5182	—	—
7/16"	11.2 mm	—	—	—	4851	—	—	5183	—	—
3/8"	9.5 mm	—	—	—	4852	—	—	5184	—	—
5/16"	80.0 mm	—	—	—	4853	—	—	5185	—	—
.265"	6.7 mm	—	—	—	4854	—	—	5186	—	—
1/4"	6.3 mm	—	—	—	4855	5021	—	5187	5353	—
No. 3-1/2	5.6 mm	4524	4690	—	4856	5022	—	5188	5354	—
No. 4	4.75 mm	4525	4691	—	4857	5023	—	5189	5355	—
No. 5	4.00 mm	4526	4692	—	4858	5024	—	5190	5356	—
No. 6	3.35 mm	4527	4693	—	4859	5025	—	5191	5357	—
No. 7	2.80 mm	4528	4694	—	4860	5026	—	5192	5358	—
No. 8	2.36 mm	4529	4695	—	4861	5027	—	5193	5359	—
No. 10	2.00 mm	4530	4696	—	4862	5028	—	5360	5360	—
No. 12	1.7 mm	4531	4697	—	4863	5029	—	5195	5361	—
No. 14	1.4 mm	4532	4698	—	4864	5030	—	5196	5362	—
No. 16	1.18 mm	4533	4699	—	4865	5031	—	5197	5363	—
No. 18	1.0 mm	4534	4700	—	4866	5032	—	5198	5364	—
No. 20	850 micron	4535	4701	—	4867	5033	—	5199	5365	—
No. 25	710 micron	4536	4702	—	4868	5034	—	5200	5366	—
No. 30	600 micron	4537	4703	—	4869	5035	—	5201	5367	—
No. 35	500 micron	4538	4704	—	4870	5036	—	5202	5368	—
No. 40	425 micron	4539	4705	—	4871	5037	—	5203	5369	—
No. 45	355 micron	4540	4706	—	4872	5038	—	5204	5370	—
No. 50	300 micron	4541	4707	—	4873	5039	—	5205	5371	—
No. 60	250 micron	4542	4708	—	4874	5040	—	5206	5372	—
No. 70	212 micron	4543	4709	—	4875	5041	—	5207	5373	—
No. 80	180 micron	4544	4710	—	4876	5042	—	5208	5374	—
No. 100	150 micron	4545	4711	—	4877	5043	—	5209	5375	—
No. 120	125 micron	4546	4712	—	4878	5044	—	5210	5376	—
No. 140	106 micron	4547	4713	—	4879	5045	—	5211	5377	—
No. 170	90 micron	4548	4714	—	4880	5046	—	5212	5378	—
No. 200	75 micron	4549	4715	—	4881	5047	—	5213	5379	—
No. 230	63 micron	4550	4716	—	4882	5048	—	5214	5380	—
No. 270	53 micron	4551	4717	—	4883	5049	—	5215	5381	—
No. 325	45 micron	4552	4718	—	4884	5050	—	5216	5382	—
No. 400	38 micron	4553	4719	—	4885	5051	—	5217	5383	—
No. 450	32 micron	—	—	—	4887	2113	—	5256	5389	—
No. 500	25 micron	—	—	—	4886	5052	—	5218	5384	—
No. 635	20 micron	—	—	—	2295	2296	—	5257	5391	—

- Overall Height – Full: 2-5/8"; Half: 1-5/8"
- Depth to Cloth – Full: 2"; Half: 1"
- Each Test Sieve is supplied with a Serial Number and a matching Test Sieve Certificate of Compliance
- See Pages 12 and 13 for value added NIST Traceable Certification Services
- For Tyler standard screen scale information call Customer Service 800.321.6188

TOP COVERS		
ITEM	PART #	PRICE (\$)
Brass	8487	
Brass w. Ring	8488	
Stainless	8496	
Stainless w. Ring	8497	

BOTTOM PANS		
ITEM	PART #	PRICE (\$)
Brass – Full Ht.	8481	
Brass – Half Ht.	8482	
Brass w. Skirt – Full Ht.	8483	
Brass w. Skirt – Half Ht.	8484	
Stainless – Full Ht.	8491	
Stainless – Half Ht.	8492	
Stainless w. Skirt – Full Ht.	8493	
Stainless w. Skirt – Half Ht.	8494	



See pages 14 -16 for Ro-Tap® Shakers and accessories.

www.wstyler.com

12" DIAMETER TEST SIEVES

****PRICE REVISION - effective March 1, 2010, price levels for Test Sieve Products will be held current with 2009 pricing.**

DESIGNATION		BRASS FRAME — BRASS CLOTH			BRASS FRAME — STAINLESS CLOTH				STAINLESS FRAME — STAINLESS CLOTH			
U.S.A.	METRIC	FULL HT. PART #	HALF HT. PART #	PRICE (\$)	FULL HT. PART #	INTER. HT. PART #	HALF HT. PART #	PRICE (\$)	FULL HT. PART #	INTER. HT. PART #	HALF HT. PART #	PRICE (\$)
4"	100 mm	—	—	—	6967	7200	2297	—	6635	2300	6801	—
3-1/2"	90 mm	—	—	—	6968	7201	2298	—	6636	9109	6802	—
3"	75 mm	—	—	—	6969	7202	7135	—	6637	2155	6803	—
2-1/2"	63 mm	—	—	—	6970	7203	7136	—	6638	9281	6804	—
2.12"	53 mm	—	—	—	6971	7204	7137	—	6639	2301	6805	—
2"	50 mm	—	—	—	6972	7205	7138	—	6640	9282	6806	—
1-3/4"	45 mm	—	—	—	6973	7206	7139	—	6641	6705	6807	—
1-1/2"	37.5 mm	—	—	—	6974	7207	7140	—	6642	9193	6808	—
1-1/4"	31.5 mm	—	—	—	6975	7208	7141	—	6643	9194	6809	—
1.06"	26.5 mm	—	—	—	6976	7209	7142	—	6644	2302	6810	—
1"	25.0 mm	—	—	—	6977	7210	7143	—	6645	9195	6811	—
7/8"	22.4 mm	—	—	—	6978	7211	7144	—	6646	6704	6812	—
3/4"	19.0 mm	—	—	—	6979	7212	7145	—	6647	9196	6813	—
5/8"	16.0 mm	—	—	—	6980	7213	7146	—	6648	9411	6814	—
.530"	13.2 mm	—	—	—	6981	7214	7147	—	6649	9431	6815	—
1/2"	12.5 mm	—	—	—	6982	7215	7148	—	6650	9197	6816	—
7/16"	11.2 mm	—	—	—	6983	7216	7149	—	6651	6702	6817	—
3/8"	9.5 mm	—	—	—	6984	7217	7150	—	6652	9198	6818	—
5/16"	8.0 mm	—	—	—	6985	7218	7151	—	6653	6703	6819	—
.265"	6.7 mm	—	—	—	6986	7219	7152	—	6654	2303	6820	—
1/4"	6.3 mm	—	—	—	6987	7220	7153	—	6655	9199	6821	—
No.3-1/2	5.6 mm	6324	6490	—	6988	7221	7154	—	6656	2218	6822	—
No. 4	4.75 mm	6325	6491	—	6989	7222	7155	—	6657	9280	6823	—
No. 5	4.00 mm	6326	6492	—	6990	7223	7156	—	6658	9098	6824	—
No. 6	3.35 mm	6327	6493	—	6991	7224	7157	—	6659	9113	6825	—
No. 7	2.80 mm	6328	6494	—	6992	7225	7158	—	6660	9099	6826	—
No. 8	2.36 mm	6329	6495	—	6993	7226	7159	—	6661	9100	6827	—
No. 10	2.00 mm	6330	6496	—	6994	7227	7160	—	6662	9214	6828	—
No. 12	1.7 mm	6331	6497	—	6995	7228	7161	—	6663	9136	6829	—
No. 14	1.4 mm	6332	6498	—	6996	7229	7162	—	6664	9271	6830	—
No. 16	1.18 mm	6333	6499	—	6997	7230	7163	—	6665	9148	6831	—
No. 18	1.0 mm	6334	6500	—	6998	7231	7164	—	6666	9079	6832	—
No. 20	850 micron	6335	6501	—	6999	7232	7165	—	6667	9080	6833	—
No. 25	710 micron	6336	6502	—	7000	7233	7166	—	6668	9081	6834	—
No. 30	600 micron	6337	6503	—	7001	7234	7167	—	6669	9082	6835	—
No. 35	500 micron	6338	6504	—	7002	7235	7168	—	6670	9083	6836	—
No. 40	425 micron	6339	6505	—	7003	7236	7169	—	6671	9084	6837	—
No. 45	355 micron	6340	6506	—	7004	7237	7170	—	6672	9085	6838	—
No. 50	300 micron	6341	6507	—	7005	7238	7171	—	6673	9086	6839	—
No. 60	250 micron	6342	6508	—	7006	7239	7172	—	6674	9087	6840	—
No. 70	212 micron	6343	6509	—	7007	7240	7173	—	6675	9149	6841	—
No. 80	180 micron	6344	6510	—	7008	7241	7174	—	6676	9215	6842	—
No. 100	150 micron	6345	6511	—	7009	7242	7175	—	6677	9088	6843	—
No. 120	125 micron	6346	6512	—	7010	7243	7176	—	6678	9089	6844	—
No. 140	106 micron	6347	6513	—	7011	7244	7177	—	6679	9010	6845	—
No. 170	90 micron	6348	6514	—	7012	7245	7178	—	6680	9090	6846	—
No. 200	75 micron	6349	6515	—	7013	7246	7179	—	6681	9091	6847	—
No. 230	63 micron	6350	6516	—	7014	7247	7180	—	6682	9092	6848	—
No. 270	53 micron	6351	6517	—	7015	7248	7181	—	6683	9093	6849	—
No. 325	45 micron	6352	6518	—	7016	7249	7182	—	6684	9094	6850	—
No. 400	38 micron	—	—	—	7017	7250	7183	—	6685	9013	6851	—
No. 450	32 micron	—	—	—	2299	7251	2153	—	6762	2304	—	—
No. 500	25 micron	—	—	—	7018	7252	7184	—	6686	9212	6852	—

- Overall Height – Full: 4-1/4"; Intermediate: 3"; Half: 2-5/8"
- Depth to Cloth – Full: 3-1/4"; Intermediate: 2"; Half: 1-5/8"
- Each Test Sieve is supplied with a Serial Number and a matching Test Sieve Certificate of Compliance
- See Pages 12 and 13 for value added NIST Traceable Certification Services

TOP COVERS		
ITEM	PART #	PRICE (\$)
Brass	8530	
Stainless	8536	
Stainless w. Ring	8537	

BOTTOM PANS		
ITEM	PART #	PRICE (\$)
Brass – Full Ht.	8526	
Brass – Half Ht.	8527	
Brass w. Skirt – Full Ht.	8528	
Brass w. Skirt – Half Ht.	8529	
Stainless – Full Ht.	8532	
Stainless – Half Ht.	8533	
Stainless w. Skirt – Full Ht.	8534	
Stainless w. Skirt – Half Ht.	8535	



See pages 14 - 16 for Ro-Tap® Shakers and accessories.

3" DIAMETER TEST SIEVES

DESIGNATION		STAINLESS FRAME — STAINLESS CLOTH			BRASS FRAME — STAINLESS CLOTH		
U.S.A	METRIC	FULL HT. PART #	HALF HT. PART #	PRICE (\$)	FULL HT. PART #	HALF HT. PART #	PRICE (\$)
No. 3-1/2	5.6 mm	1285	1700		1534	1617	
No. 4	4.75 mm	1286	1701		1535	1618	
No. 5	4.00 mm	1287	1702		1536	1619	
No. 6	3.35 mm	1288	1703		1537	1620	
No. 7	2.80mm	1289	1704		1538	1621	
No. 8	2.36 mm	1290	1705		1539	1622	
No. 10	2.00 mm	1291	1706		1540	1623	
No. 12	1.7 mm	1292	1707		1541	1624	
No. 14	1.4 mm	1293	1708		1542	1625	
No. 16	1.18 mm	1294	1709		1543	1626	
No. 18	1.0 mm	1295	1710		1544	1627	
No. 20	850 micron	1296	1711		1545	1628	
No. 25	710 micron	1297	1712		1546	1629	
No. 30	600 micron	1298	1713		1547	1630	
No. 35	500 micron	1299	1714		1548	1631	
No. 40	425 micron	1300	1715		1549	1632	
No. 45	355 micron	1301	1716		1550	1633	
No. 50	300 micron	1302	1717		1551	1634	
No. 60	250 micron	1303	1718		1552	1635	
No. 70	212 micron	1304	1719		1553	1636	
No. 80	180 micron	1305	1720		1554	1637	
No. 100	150 micron	1306	1721		1555	1638	
No. 120	125 micron	1307	1722		1556	1639	
No. 140	106 micron	1308	1723		1557	1640	
No. 170	90 micron	1309	1724		1558	1641	
No. 200	75 micron	1310	1725		1559	1642	
No. 230	63 micron	1311	1726		1560	1643	
No. 270	53 micron	1312	1727		1561	1644	
No. 325	45 micron	1313	1728		1562	1645	
No. 400	38 micron	1314	1729		1563	1646	
No. 450	32 micron	1324	1730		1565	1648	
No. 500	25 micron	1315	1731		1564	1647	
No. 635	20 micron	1325	1732		1566	1649	

- Overall Height – Full: 1-3/4"; Half: 1-1/4"
- Depth to Cloth – Full: 1-1/4"; Half: 5/8"
- Each Test Sieve is supplied with a Serial Number and a matching Test Sieve Certificate of Compliance
- See Pages 12 and 13 for NIST Traceable Certification Services
- For standard screen scale information call Customer Service 800.321.6188

TOP COVERS		
ITEM	PART #	PRICE (\$)
Stainless	8411	
Stainless w. Ring	8412	
Brass	8405	
Brass w. Ring	8406	

BOTTOM PANS		
ITEM	PART #	PRICE (\$)
Stainless – Full Ht.	8407	
Stainless – Half Ht.	8408	
Stainless w. Skirt – Full Ht.	8409	
Stainless w. Skirt – Half Ht.	8410	
Brass - Full Ht.	8401	
Brass - Half Ht.	8402	
Brass w. Skirt - Full Ht.	8403	
Brass w. Skirt - Half Ht.	8404	

AIR JET TEST SIEVES

DESIGNATION		STAINLESS FRAME — STAINLESS CLOTH	
U.S.A	METRIC	PART #	PRICE (\$)
No. 8	2.36 mm	9423	
No. 10	2.00 mm	9418	
No. 12	1.7 mm	9424	
No. 14	1.4 mm	9425	
No. 16	1.18 mm	9152	
No. 18	1.0 mm	9321	
No. 20	850 micron	9153	
No. 25	710 micron	9250	
No. 30	600 micron	9154	
No. 35	500 micron	9056	
No. 40	425 micron	9016	
No. 45	355 micron	9251	
No. 50	300 micron	9142	
No. 60	250 micron	9143	
No. 70	212 micron	9252	
No. 80	180 micron	9101	
No. 100	150 micron	9186	
No. 120	125 micron	9253	
No. 140	106 micron	9015	
No. 170	90 micron	9014	
No. 200	75 micron	9003	
No. 230	63 micron	9004	
No. 270	53 micron	9102	
No. 325	45 micron	9011	
No. 400	38 micron	9133	
No. 450	32 micron	9410	
No. 500	25 micron	9202	
No. 635	20 micron	9415	

- 200mm in diameter
- Overall Height – 1-3/4"
- Depth to Cloth – 1-1/8"
- For use with Air Jet Sieving Systems
- Each Test Sieve is supplied with a Serial Number and a matching Test Sieve Certificate of Compliance
- See Pages 12 and 13 for NIST Traceable Certification Services
- Customer Service 800.321.6188




200mm DIAMETER TEST SIEVES

DESIGNATION		BRASS FRAME — STAINLESS CLOTH			STAINLESS FRAME — STAINLESS CLOTH		
METRIC	U.S.A	FULL HT. PART #	HALF HT. PART #	PRICE (\$)	FULL HT. PART #	HALF HT. PART #	PRICE (\$)
37.5 mm	1-1/2"	9714	9814		7256	7340	
31.5 mm	1-1/4"	9715	9815		7257	7341	
28.0 mm	—	9716	9816		7258	7342	
26.5 mm	1.06"	9717	9817		7259	7343	
25.0 mm	1"	9718	9818		7260	7344	
22.4 mm	7/8"	9719	9819		7261	7345	
20.0 mm	—	9720	9820		7262	7346	
19.0 mm	3/4"	9721	9821		7263	7347	
18.0 mm	—	9722	9822		7264	7348	
16.0 mm	5/8"	9723	9823		7265	7349	
14.0 mm	—	9724	9824		7266	7350	
13.2 mm	.530"	9725	9825		7267	7351	
12.5 mm	1/2"	9726	9826		7268	7352	
11.2 mm	7/16"	9727	9827		7269	7353	
10.0 mm	—	9728	9828		7270	7354	
9.5 mm	3/8"	9729	9829		7271	7355	
9.0 mm	—	9730	9830		7272	7356	
8.0 mm	5/16"	9731	9831		7273	7357	
7.1 mm	—	9732	9832		7274	7358	
6.7 mm	.265"	9733	9833		7275	7359	
6.3 mm	1/4"	9734	9834		7276	7360	
5.6 mm	No. 3-1/2"	9735	9835		7277	7361	
5.0 mm	—	9736	9836		7278	7362	
4.75 mm	No. 4	9737	9837		7279	7363	
4.5 mm	—	9738	9838		7280	7364	
4.0 mm	No. 5	9739	9839		7281	7365	
3.55 mm	—	9740	9840		7282	7366	
3.35 mm	No. 6	9741	9841		7283	7367	
3.15 mm	—	9742	9842		7284	7368	
2.8 mm	No. 7	9508	9608		7285	7369	
2.5 mm	—	9509	9609		7286	7370	
2.36 mm	No. 8	9510	9610		7287	7371	
2.24 mm	—	9511	9611		7288	7372	
2.00 mm	No. 10	9512	9612		7289	7373	
1.8 mm	—	9513	9613		7290	7374	
1.7 mm	No. 12	9514	9614		7291	7375	
1.6 mm	—	9515	9615		7292	7376	
1.4 mm	No. 14	9516	9616		7293	7377	
1.25 mm	—	9517	9617		7294	7378	
1.18 mm	No. 16	9518	9618		7295	7379	
1.12 mm	—	9519	9619		7296	7380	
1.00 mm	No. 18	9520	9620		7297	7381	
900 micron	—	9521	9621		7298	7382	
850 micron	No. 20	9522	9622		7299	7383	
800 micron	—	9523	9623		7300	7384	
710 micron	No. 25	9524	9624		7301	7385	
630 micron	—	9525	9625		7302	7386	
600 micron	No. 30	9526	9626		7303	7387	
560 micron	—	9527	9627		7304	7388	
500 micron	No. 35	9528	9628		7305	7389	
450 micron	—	9529	9629		7306	7390	
425 micron	No. 40	9530	9630		7307	7391	
400 micron	—	9531	9631		7308	7392	
355 micron	No. 45	9532	9632		7309	7393	
315 micron	—	9533	9633		7310	7394	
300 micron	No. 50	9534	9634		7311	7395	
280 micron	—	9535	9635		7312	7396	
250 micron	No. 60	9536	9636		7313	7397	
224 micron	—	9537	9637		7314	7398	
212 micron	No. 70	9538	9638		7315	7399	
200 micron	—	9539	9639		7316	7400	
180 micron	No. 80	9540	9640		7317	7401	
160 micron	—	9541	9641		7318	7402	
150 micron	No. 100	9542	9642		7319	7403	
140 micron	—	9543	9643		7320	7404	
125 micron	No. 120	9544	9644		7321	7405	
112 micron	—	9545	9645		7322	7406	
106 micron	No. 140	9546	9646		7323	7407	
100 micron	—	9547	9647		7324	7408	
90 micron	No. 170	9548	9648		7325	7409	
80 micron	—	9549	9649		7326	7410	
75 micron	No. 200	9550	9650		7327	7411	
71 micron	—	9551	9651		7328	7412	
63 micron	No. 230	9552	9652		7329	7413	
56 micron	—	9553	9653		7330	7414	
53 micron	No. 270	9554	9654		7331	7415	
50 micron	—	9555	9655		7332	7416	
45 micron	No. 325	9556	9656		7333	7417	
40 micron	—	9557	9657		7334	7418	
38 micron	No. 400	9558	9658		7335	7419	
36 micron	—	9794	9894		7336	7420	
32 micron	No. 450	9795	9895		7337	7421	
25 micron	No. 500	9797	9897		7338	7422	
20 micron	No. 635	9799	9899		7339	7423	

- Overall Height – Full: 2-5/8"; Half: 1-7/8"
- Depth to Cloth – Full: 2"; Half: 1"
- Each Test Sieve is supplied with a Serial Number and a matching Test Sieve Certificate of Compliance
- Conforms to current ISO 3310-1 and BS410 Specifications
- **300 mm diameter Test Sieves are available in Stainless Frame and Stainless Cloth only.**
- Customer Service 800.321.6188

TOP COVERS		
ITEM	PART #	PRICE (\$)
Brass	9902M	
Stainless	9902	

BOTTOM PANS		
ITEM	PART #	PRICE (\$)
Brass – Full Height	9901M	
Brass – Half Height	9903M	
Stainless – Full Height	9901	
Stainless – Half Height	9903	

 See Pages 12 and 13 for NIST Traceable Certification Services

6" DIAMETER TEST SIEVES

DESIGNATION		STAINLESS FRAME — STAINLESS CLOTH		
U.S.A	METRIC	FULL HT. PART #	HALF HT. PART #	PRICE (\$)
1"	25.0 mm	3845	—	
7/8"	22.4 mm	3846	—	
3/4"	19.0 mm	3847	—	
5/8"	16.0 mm	3848	—	
.530"	13.2 mm	3849	—	
1/2"	12.5 mm	3850	—	
7/16"	11.2 mm	3851	—	
3/8"	9.5 mm	3852	—	
5/16"	8.0 mm	3853	—	
.265"	6.7 mm	3854	—	
1/4"	6.3 mm	3855	—	
No. 3-1/2	5.6 mm	3856	4022	
No. 4	4.75 mm	3857	4023	
No. 5	4.00 mm	3858	4024	
No. 6	3.35 mm	3859	4025	
No. 7	2.80 mm	3860	4026	
No. 8	2.36 mm	3861	4027	
No. 10	2.00 mm	3862	4028	
No. 12	1.7 mm	3863	4029	
No. 14	1.4 mm	3864	4030	
No. 16	1.18 mm	3865	4031	
No. 18	1.00 mm	3866	4032	
No. 20	850 micron	3867	4033	
No. 25	710 micron	3868	4034	
No. 30	600 micron	3869	4035	
No. 35	500 micron	3870	4036	
No. 40	425 micron	3871	4037	
No. 45	355 micron	3872	4038	
No. 50	300 micron	3873	4039	
No. 60	250 micron	3874	4040	
No. 70	212 micron	3875	4041	
No. 80	180 micron	3876	4042	
No. 100	150 micron	3877	4043	
No. 120	125 micron	3878	4044	
No. 140	106 micron	3879	4045	
No. 170	90 micron	3880	4046	
No. 200	75 micron	3881	4047	
No. 230	63 micron	3882	4048	
No. 270	53 micron	3883	4049	
No. 325	45 micron	3884	4050	
No. 400	38 micron	3885	4051	
No. 500	25 micron	3886	4052	

TOP COVERS

ITEM	PART #	PRICE (\$)
Stainless	8471	
Stainless w. Ring	8472	

BOTTOM PANS

ITEM	PART #	PRICE (\$)
Stainless – Full Ht.	8467	
Stainless w. Skirt – Full Ht.	8469	

- Overall Height – Full: 2-5/8"; Half: 1-7/8"
- Depth to Cloth – Full: 1-3/4"; Half: 1"
- Each Test Sieve is supplied with a Serial Number and a matching Test Sieve Certificate of Compliance
- See Pages 12 and 13 for Value Added NIST Traceable Certification Services.
- www.wstyler.com

10" DIAMETER TEST SIEVES

DESIGNATION		STAINLESS FRAME — STAINLESS CLOTH	
U.S.A	METRIC	PART #	PRICE (\$)
4"	100 mm	5799	
3-1/2"	90 mm	5800	
3"	75 mm	5801	
2-1/2"	63 mm	5802	
2.12"	53 mm	5803	
2"	50 mm	5804	
1-3/4"	45 mm	5805	
1-1/2"	37.5 mm	5806	
1-1/4"	31.5 mm	5807	
1.06"	26.5 mm	5808	
1"	25.0 mm	5809	
7/8"	22.4 mm	5810	
3/4"	19.0 mm	5811	
5/8"	16.0 mm	5812	
.530"	13.2 mm	5813	
1/2"	12.5 mm	5814	
7/16"	11.2 mm	5815	
3/8"	9.5 mm	5816	
5/16"	8.0 mm	5817	
.265"	6.7 mm	5818	
1/4"	6.3 mm	5819	
No. 3-1/2	5.6 mm	5820	
No. 4	4.75 mm	5821	
No. 5	4.00 mm	5822	
No. 6	3.35 mm	5823	
No. 7	2.80 mm	5824	
No. 8	2.36 mm	5825	
No. 10	2.00 mm	5826	
No. 12	1.7 mm	5827	
No. 14	1.4 mm	5828	
No. 16	1.18 mm	5829	
No. 18	1.00 mm	5830	
No. 20	850 micron	5831	
No. 25	710 micron	5832	
No. 30	600 micron	5833	
No. 35	500 micron	5834	
No. 40	425 micron	5835	
No. 45	355 micron	5836	
No. 50	300 micron	5837	
No. 60	250 micron	5838	
No. 70	212 micron	5839	
No. 80	180 micron	5840	
No. 100	150 micron	5841	
No. 120	125 micron	5842	
No. 140	106 micron	5843	
No. 170	90 micron	5844	
No. 200	75 micron	5845	
No. 230	63 micron	5846	
No. 270	53 micron	5847	
No. 325	45 micron	5848	
No. 400	38 micron	5849	
No. 500	25 micron	5850	

TOP COVERS

ITEM	PART #	PRICE (\$)
Stainless	8516	
Stainless w. Ring	8517	

BOTTOM PANS

ITEM	PART #	PRICE (\$)
Stainless – Full Ht.	8512	
Stainless w. Skirt – Full Ht.	8514	

- Overall Height – Full: 4"
- Each Test Sieve is supplied with a Serial Number and a matching Test Sieve Certificate of Compliance
- See Pages 12 and 13 for Value Added NIST Traceable Certification Services.

18" DIAMETER TEST SIEVES

DESIGNATION		BRASS FRAME — STAINLESS CLOTH	
U.S.A.	METRIC	PART #	PRICE (\$)
4"	100 mm	7503	
3-1/2"	90 mm	7504	
3"	75 mm	7505	
2-1/2"	63 mm	7506	
2.12"	53 mm	7507	
2"	50 mm	7508	
1-3/4"	45 mm	7509	
1-1/2"	37.5 mm	7510	
1-1/4"	31.5 mm	7511	
1.06"	26.5 mm	7512	
1"	25.0 mm	7513	
7/8"	22.4 mm	7514	
3/4"	19.0 mm	7515	
5/8"	16.0 mm	7516	
.530"	13.2 mm	7517	
1/2"	12.5 mm	7518	
7/16"	11.2 mm	7519	
3/8"	9.5 mm	7520	
5/16"	8.0 mm	7521	
.265"	6.7 mm	7522	
1/4"	6.3 mm	7523	
No. 3-1/2	5.6 mm	7524	
No. 4	4.75 mm	7525	
No. 5	4.00 mm	7526	
No. 6	3.35 mm	7527	
No. 7	2.80 mm	7528	
No. 8	2.36 mm	7529	
No. 10	2.00 mm	7530	
No. 12	1.7 mm	7531	
No. 14	1.4 mm	7532	
No. 16	1.18 mm	7533	
No. 18	1.00 mm	7534	
No. 20	850 micron	7535	
No. 25	710 micron	7536	
No. 30	600 micron	7537	
No. 35	500 micron	7538	
No. 40	425 micron	7539	
No. 45	355 micron	7540	
No. 50	300 micron	7541	
No. 60	250 micron	7542	
No. 70	212 micron	7543	
No. 80	180 micron	7544	
No. 100	150 micron	7545	
No. 120	125 micron	7546	
No. 140	106 micron	7547	
No. 170	90 micron	7548	
No. 200	75 micron	7549	
No. 230	63 micron	7550	

TOP COVERS		
ITEM	PART #	PRICE (\$)
Brass	8558	

BOTTOM PANS		
ITEM	PART #	PRICE (\$)
Brass – Full Ht.	8556	

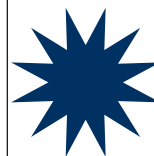
- Overall Height – 5-1/2"
- Depth to Cloth – 4-1/2"
- Each Test Sieve is supplied with a Serial Number and a matching Test Sieve Certificate of Compliance

GOLD SERIES TEST SIEVES

- Guarantees that the permissible variation of average opening as allowed by ASTM E-11 are reduced by 50%
- Designed as "masters" for internal quality assurance programs (8" diameter)

DESIGNATION		STAINLESS FRAME — STAINLESS CLOTH		
U.S.A.	METRIC	FULL HT. PART #	HALF HT. PART #	PRICE (\$)
No. 20	850 micron	5199G	5365G	
No. 25	710 micron	5200G	5366G	
No. 30	600 micron	5201G	5367G	
No. 35	500 micron	5202G	5368G	
No. 40	425 micron	5203G	5369G	
No. 45	355 micron	5204G	5370G	
No. 50	300 micron	5205G	5371G	
No. 60	250 micron	5206G	5372G	
No. 70	212 micron	5207G	5373G	
No. 80	180 micron	5208G	5374G	
No. 100	150 micron	5209G	5375G	
No. 120	125 micron	5210G	5376G	
No. 140	106 micron	5211G	5377G	
No. 170	90 micron	5212G	5378G	
No. 200	75 micron	5213G	5379G	
No. 230	63 micron	5214G	5380G	
No. 270	53 micron	5215G	5381G	
No. 325	45 micron	5216G	5382G	
No. 400	38 micron	5217G	5383G	
No. 500	25 micron	5218G	5384G	

- Overall Height – Full: 2-5/8"; Half: 1-5/8"
- Depth to Cloth – Full: 2"; Half: 1"
- Each test sieve is optically examined, serialized, and supplied with complete NIST traceable documents.



Customer Service 800.321.6188

SPECIAL TEST SIEVE PRODUCTS

WET WASH TEST SIEVES

All Wet Wash Test Sieves are constructed with a brass frame and stainless steel sieve cloth.

ITEM	PRICE (\$)
8" Diameter Test Sieve with 4-5/8" overall height and 4-1/8" depth to cloth	U.S.A. #4 through #325

ITEM	PRICE (\$)
8" Diameter Test Sieve with 8-5/8" overall height and 8-1/8" depth to cloth	U.S.A. #4 through #325

ITEM	PRICE (\$)
3" Diameter Test Sieve with 4" overall height and 3-1/2" depth to cloth	U.S.A. #4 through #325

ITEM	PRICE (\$)
12" Diameter Test Sieve with 9" overall height and 8" depth to cloth	U.S.A. #4 through #325

- All test sieves above include drain holes in lower frame.
- Each Test Sieve is supplied with a Serial Number and a matching Test Sieve Certificate of Compliance.
- 35 mesh backing is recommended for U.S.A. #200 and finer. (Add \$30.00)
- See Pages 12 and 13 for Value Added NIST Traceable Certification Services.



TEST SIEVE CLEANING BRUSHES

Nylon Model
For cleaning sieves having 120 mesh and finer.

Brass Model
For cleaning sieves having 100 mesh and coarser.



PART #	PRICE (\$)
8577 Nylon	

PART #	PRICE (\$)
8576 Brass	

www.wstyler.com

TYLER SIEVING SOFTWARE 3.0



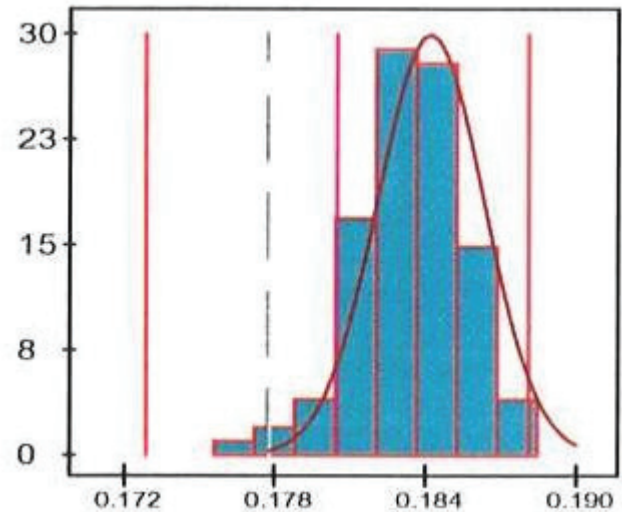
W.S. TYLER is excited to introduce Sieve Software 3.0.

The product was designed as a fast and simple tool to record, print and save data from a traditional Test Sieve Analysis.

The user friendly spreadsheet format allows the user to personalize the files and detail each sieve test. The technician must enter the sieve series required, and then the sample weight retained on each sieve following the test run. The software will perform the rest of the calculations and create statistical and graphical displays for analysis.

The Tyler Sieving Software 3.0 will simplify the Test Sieving process and is affordably priced.

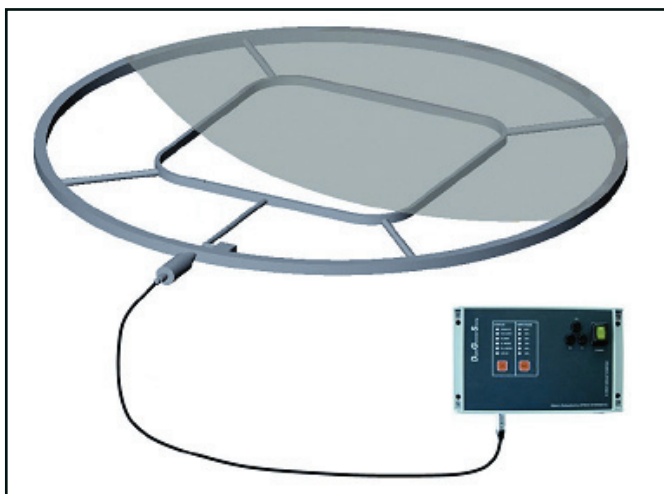
SIEVING SOFTWARE 3.0	
Part #	List Price
SS-300	\$ USD



ULTRASONIC SCREENING SYSTEM



W.S. Tyler works to create Customer Solutions through the Service, Engineering and Manufacturing of Premium Woven Wire Cloth products.



The new Ultrasonic Screening Systems are custom made for existing screening machines.

The Ultrasonic Screening technology helps deliver efficient screening of powders down to a 500 mesh.

It helps promote increased throughput, breaks down agglomerating particles and ensures a long time cleaning effect of your screens.

COMPUTERIZED PARTICLE ANALYZER (CPA) 2-1

- The HAVER TYLER CPA 2-1 is the newest member of the Photo-Optical Particle Size and Shape Analyzers.
- The HAVER TYLER CPA 2-1 is equipped with user friendly CPA software that is compatible with current Windows™ based operating systems.
- The unit can be operated with a desktop or laptop computer. Minimum software requirements are 850 MHZ, 1g hard drive and 512 ram.
- The new model has been designed for laboratory use measuring dry, free flowing, non-agglomerating particles.
- The CPA unit is virtually maintenance free, durable, and can be used for “in-line” process applications as well.
- The 2-1 software includes a feature that correlates CPA raw data to traditional test sieving results.



Call today for application assistance and pricing!
CUSTOMER SERVICE
800.321.6188



Technical Data:

Measuring Range:	.034 mm (ASTM 400) - 25 mm (ASTM 1" OPG)
Operating Voltage:	230 v/50 Hz 120 v/60 Hz
Camera:	CCD - Line Camera
Light Source:	LED
Dimensions:	33" x 11" x 23"
Weight:	36 lbs.
Applications:	sand, coal, sugar, salt, plastics, fertilizer, ceramics, glass, foods, pharmaceuticals and other industrial materials

LABORATORY SERVICES

CERTIFIED TEST SIEVE (ASTM E-11 Equivalent - Inspection Grade):

- New and in-use Test Sieves
- Opening measured with a computerized video imaging system.
- Examined to meet current ASTM and ISO specifications.
- Products are serialized and supplied with NIST traceable documents, including statistical information on opening sizes and wire diameters.

Part # 9998 - Price = \$ (does not include sieve)

Part # 9997 - Price = \$ each (cleaning if necessary)

CERTIFIED PLUS TEST SIEVE (ASTM E-11 Equivalent - Calibration Grade):

- New and in-use Test Sieves.
- Openings measured with a Computerized Video Imaging System.
- Examined to meet current ASTM or ISO Specifications.
- Offers a 99.73% level of confidence, resulting from measuring two times the amount of mesh openings of an Inspection Grade Sieve.
- Products are serialized and supplied with NIST traceable documents, including statistical information on opening sizes and wire diameters.

Part # 9992 - Price = \$ each (does not include sieve)

RECOMMENDED IN-USE SIEVE RECERTIFICATION SCHEDULE

Aperture	Schedule*
5 inches to .25 inches	80 uses or 36 months
US No. 3 ^{1/2} to US No. 12	70 uses or 30 months
US No. 14 to US No. 40	60 uses or 24 months
US No. 45 to US No. 140	50 uses or 18 months
US No. 170 to US No. 325	35 uses or 12 months
US No. 400 to US No. 635	20 uses or 6 months
* Whichever comes last	



See inside back cover for sample of NIST Traceable Document of Certification.

LABORATORY SERVICES

PARTICLE ANALYSIS SERVICES

- Fine, dry applications from 2" through 635 mesh (20 micron).
- Service includes detailed analysis results.

Part # 9995 - Testing charge = \$ per test and/or sample

MATCHED / CERTIFIED TEST SIEVE

- Individually performance tested against W.S. Tyler Master Series Sieves.
- Test result tolerances, -2.5% .
- Certified including NIST Traceable and Performance Test Documents.
- Designed for critical multiple location comparison analysis.
- U.S.A. No. 8 through U.S.A. No. 325, 8" diameter Stainless Steel Cloth Sieves.

Part # 9991 - Price = \$ (does not include sieve)



Customer Service 800.321.6188

TEST SIEVE SHAKERS

Ro-Tap® RX-29 and Ro-Tap® RX-30 Models

The industry standard in test sieve shakers, W.S. Tyler's Ro-Tap® has a unique two-dimensional operation: a horizontal, circular motion and a vertical, tapping motion.

This special action allows material particles to stratify and "seek" critical openings in the test media. This unit provides the most accurate and consistent particle analysis testing.

The RX-29 model is designed for testing with 8" diameter test sieves; the RX-30 model is designed for testing with 12" diameter test sieves.

- Testing applications — RX-29: 2" down through 635 mesh (20 micron); RX-30: 4" down through 500 mesh (25 micron)
- Requires minimal maintenance
- Heavy-duty use
- Features 99 minute digital timer/clock, tolerance, .1 second
- Each unit is test run and serialized prior to shipment



SPECIFICATIONS

- Oscillations per Minute: 278±10
- Oscillations Displacement: 1-1/8" x 7/16"
- Taps per Minute: 150±10
- Hammer Weight; 5 lbs., 6 oz.



Customer Service 800.321.6188

www.wstyler.com

Recommendations regarding the maximum number of test sieves that can be used with Ro-Tap® Test Sieve Shakers:

MODEL	NUMBER OF SIEVES	
	FULL HEIGHT	HALF HEIGHT
RX-29 (8" or 200mm Dia.)	6 Sieves w/FH Pan	13 Sieves w/HH Pan
RX-30 (12" or 300mm Dia.)	4 Sieves w/FH Pan or 6 Sieves w/HH Pan*	8 Sieves w/HH Pan

* Intermediate height
A top cover is required for testing with of all the above.

ACCESSORIES	
Sound Enclosure Cabinets.....	Page 17
Test Stand	Page 17
Parts Maintenance Kits.....	Page 15
Conversion Kits	Page 19

- Lab kits consisting of Ro-Tap®, sound enclosure and test stand are available at a discounted price.

Dimensions — Unit: 28" wide x 21" deep x 25" high (71cm x 54cm x 64cm)
Shipping: 31" wide x 23" deep x 30" high (77cm x 59cm x 77cm)

Weight — Unit: 180 lbs. (82 kg)
Shipping: 190 lbs. (86 kg)

AT 1750 RPM, 60 CYCLE CURRENT		
PART #	DESCRIPTION	PRICE (\$)
RX-29	110v (8" Test Sieves)	
RX-29-16	220v (8" Test Sieves)	
RX-30	110v (12" Test Sieves)	
RX-30-16	220v (12" Test Sieves)	

AT 1450 RPM, 50 CYCLE CURRENT		
PART #	DESCRIPTION	PRICE (\$)
RX-29-2	110v (8" Test Sieves)	
RX-29-10	220v (8" Test Sieves)	
RX-30-2	110v (12" Test Sieves)	
RX-30-10	220v (12" Test Sieves)	

Prices do not include test sieves.
All models are wired for single phase current only

RO-TAP® E SIEVE SHAKERS

Ro-Tap® RX-29-E and Ro-Tap® RX-30-E Models:

The Ro-Tap® Electronic Test Sieve Shaker operates with 8" or 12" diameter Test Sieves and offers precise sieving results. The compact, Ro-Tap® RX-29-E (8" Test Sieves) unit requires minimal space on a laboratory countertop. The Ro-Tap® RX-30-E (12" Test Sieves) model is a floor unit. Controls can be remotely mounted for convenient operation. The units are designed for light to medium testing applications.



The Standard Model Features:

- Controlled Constant Amplitude
- Digital Controls
- Quick Release Hold Downs
- Fine and Coarse Analysis Control Settings

Dimensions: Model E 8" (hold 9 full height or 15 half height w/pan)

Unit: 18" wide x 18" deep x 30" high (46cm x 46cm x 76 cm)

Shipping: 20" wide x 20" deep x 32" high (51cm x 51cm x 81cm)

Weight:

Unit: 80 lbs. (36 kg)

Shipping: 90 lbs. (41 kg) Power Options: 110 v.

Dimensions: Model E 12" (hold 7 full height or 10 half height w/pan)

Unit: 15" wide x 17" deep x 38" high (38cm x 43cm x 96cm)

Shipping: 31" wide x 31" deep x 39" high (78cm x 78cm x 99cm)

Weight:

Unit: 117 lbs. (53 kg)

Shipping: 172 lbs. (78 kg) Power Options: 110 v.

PART #	DESCRIPTION	PRICE (\$)
RX-29-E	Electronic 8" Shaker	
RX-30-E	Electronic 12" Shaker	
560204	Threaded Clamping Rod	
560210	Twin Nut Clamp	
R-30033-E	Twin Nut Clamping System Kit	

RO-TAP® SIEVE SHAKER MAINTENANCE KITS

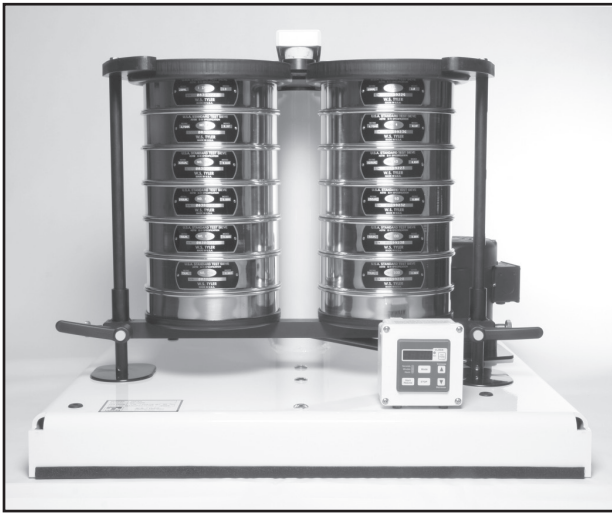
To ensure lasting dependable service, Ro-Tap® Sieve Shakers must occasionally be upgraded with parts that are long-wearing, durable, and cost-effective. Maintenance kits are available for the replacement of parts due to normal wear and tear. W.S. Tyler recommends the use of these kits as a means to minimize down-time due to minor repairs. The purchase of a minor maintenance kit is also recommended with each new Ro-Tap® Sieve Shaker.

KIT PART NO.	DESCRIPTION	INCLUDES	PRICE *
10121	RX-29, RX-30, & RX-94 RX-29, RX-30, & RX-94	2 Eccentric Discs (R-10034), 1 Flange Bushing (R-10061), 1 Bearing (R-10062), 1 Cork (R-10066A), and 2 Flange Bearings (R-10063)	\$
10122	RX-29 & RX-30 Major Maintenance Kit	1 Minor Maintenance Kit (10121), 1 Timing Belt (R-10058), 1 Upper Carrying Plate (R-30008), 1 Cam Gear (R-20039), and 1 Timing Belt Pulley (R-30015)	\$
10123	RX-94 Major Maintenance Kit	Kit Part No. 10122 except Upper Carrying Plate	\$



* Prices reflect a 10% discount versus purchasing the items separately

TEST SIEVE SHAKERS



Ro-Tap® RX-94 Model

Ro-Tap® RX-94 Test Sieve Shaker utilizes the same traditional design as the RX-29 and RX-30 models. In addition, the unit features a cavity that allows for two "stacks" of 8" diameter test sieves. This allows for twice the processing capacity in nominally the same time required to complete one test.

- Designed for use with 8" diameter test sieves only.
- Testing application: 2" down through 635 mesh (20 micron).
- Newly designed easy lock clamping system.

SPECIFICATIONS

- Oscillations per Minute: 278±10
- Oscillation Displacement: 1-1/8" x 7/16"
- Taps per Minute: 150±10
- Hammer Weight: 5 lbs., 6 oz.

Recommendations regarding the maximum number of test sieves that can be used with Ro-Tap® Test Sieve Shakers:

MODEL	NUMBER OF SIEVES	
	FULL HEIGHT	HALF HEIGHT
RX-94 (8" or 200mm Dia.)	2 Stacks of 6 Sieves w/FH Pan	2 Stacks of 13 Sieves w/HH Pan

A top cover is required for testing.

PART #	DESCRIPTION	PRICE (\$)
RX-94	110v. 60 Hz Current	
RX-94-1	220v. 60 Hz Current	
RX-94-2	110v. 50 Hz Current	
RX-94-3	220v. 50 Hz Current	

Prices do not include test sieves.

All models are wired for single phase current only.

Dimensions — Unit: 30" wide x 27" deep x 26" high (75cm x 68cm x 56cm)
Shipping: 31" wide x 31" deep x 30" high (77cm x 78cm x 75cm)

Weight — Unit: 220 lbs. (100 kg)
Shipping: 242 lbs. (110 kg)



RX-812 Coarse Sieve Shaker Model

Designed to be used in coarse testing applications, the affordable RX-812 Coarse Sieve Shaker has the unique capability of using both 8" diameter and 12" diameter test sieves, simply by using the quick-change adapters provided. The RX-812 has a quiet operation and utilizes an effective "action" that gives consistent, accurate results.

- Designed for use with 8" and 12" diameter test sieves.
- **Not recommended for analysis with particles 150 micron (100 mesh and finer) and smaller.**

SPECIFICATIONS

- Oscillations per Minute: 280 (60Hz); 231 (50Hz)

Recommendations regarding the maximum number of test sieves that can be used with Ro-Tap® Test Sieve Shakers:

MODEL	NUMBER OF SIEVES	
	FULL HEIGHT	HALF HEIGHT
RX-812 (8" or 200mm Dia.)	6 Sieves w/FH Pan	13 Sieves w/HH Pan
RX-812 (12" or 300mm Dia.)	4 Sieves w/FH Pan	6 Sieves w/HH Pan* or 8 Sieves w/HH Pan

* Intermediate height.

A top cover is required for testing.

Dimensions — Unit: 23" wide x 15" deep x 13" high (59cm x 38cm x 33cm)
Shipping: 25" wide x 19" deep x 15" high (64cm x 49cm x 38cm)

Weight — Unit: 43 lbs. (25 kg)
Shipping: 80 lbs. (28 kg)

PART #	DESCRIPTION	PRICE (\$)
RX-812	110v. 60 Hz Current	
RX-812-1	220v. 60 Hz Current	
RX-812-2	110v. 50 Hz Current	
RX-812-3	220v. 50 Hz Current	

All models are wired for single phase current only.

Prices do not include test sieves.

RO-TAP® SOUND ENCLOSURE CABINETS

Designed to be used exclusively with Ro-Tap® Sieve Shakers, operating noise levels are reduced from approximately 85 dB to 78 dB. The cabinets are fabricated with 18 gauge steel and a 1" metal faced, acoustic foam inner liner.

Dimensions —

R-30050: Unit: 35" wide x 24" deep x 29" high (89cm x 61cm x 74cm)
Shipping: 38" wide x 28" deep x 32" high (91cm x 69cm x 91cm)

RX-99: Unit: 34" wide x 33" deep x 31" high (86cm x 83cm x 78cm)
Shipping: 38" wide x 38" deep x 36" high (91cm x 91cm x 84cm)

Weight —

R-30050: Unit: 102 lbs. (46 kg)
Shipping: 112 lbs. (51 kg)

RX-99 Unit: 150 lbs. (68 kg)
Shipping: 160 lbs. (73 kg)

CABINET FOR MODEL	PRICE (\$)	
R-30050	RX-29 & RX-30	
RX-99	RX-94	

PART #	DESCRIPTION	PRICE (\$)
R-10099	Cover Springs w/Ball Stud	
R-10094	Cover Latches	

RO-TAP® TEST STAND

Specifically designed for RX-29 and RX-30 Ro-Tap® Sieve and RX-812 Coarse Sieve Shaker, the Ro-Tap® Test Stand can be used with or without the Sound Enclosure Cabinet.

- Allows for relatively fast, simple installation and set-up of the Ro-Tap® Sieve Shaker.
- Attractive, sturdy steel construction, with anchor brackets for fastening to floor or foundation.
- Allows for optimal use of available laboratory space dedicated to test sieving.

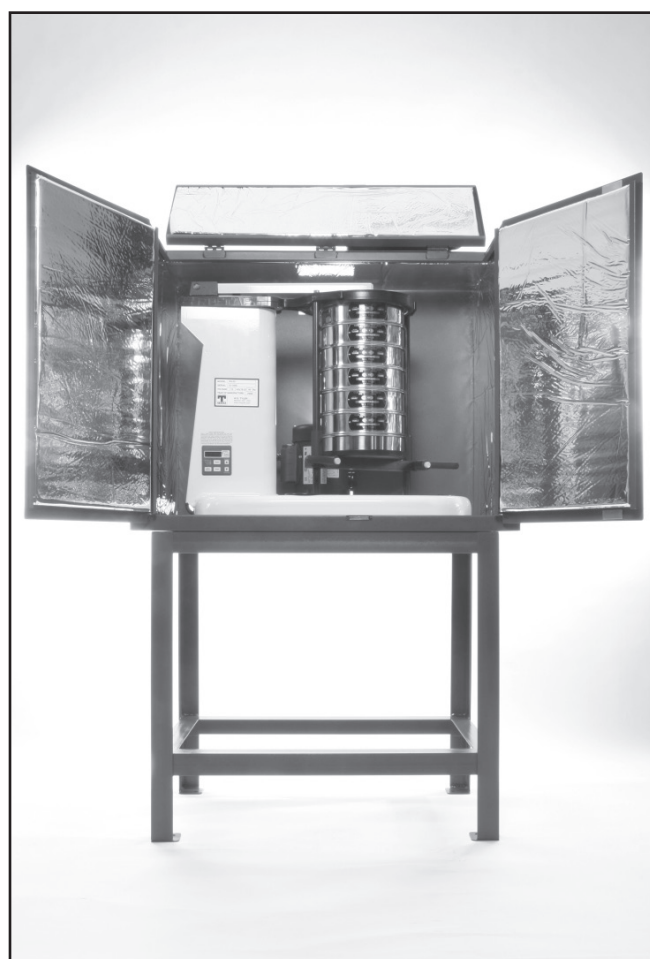
Dimensions —

Unit: 20" wide x 32" deep x 28" high (50cm x 81cm x 71cm)
Shipping: 21" wide x 32" deep x 30" high (15cm x 15cm x 107cm)

Weight —

Unit: 45 lbs. (12 kg)
Shipping: 50 lbs. (13 kg)

PART #	PRICE (\$)
R-40041	



For more information 800.321.6188

SIEVING ACCESSORIES



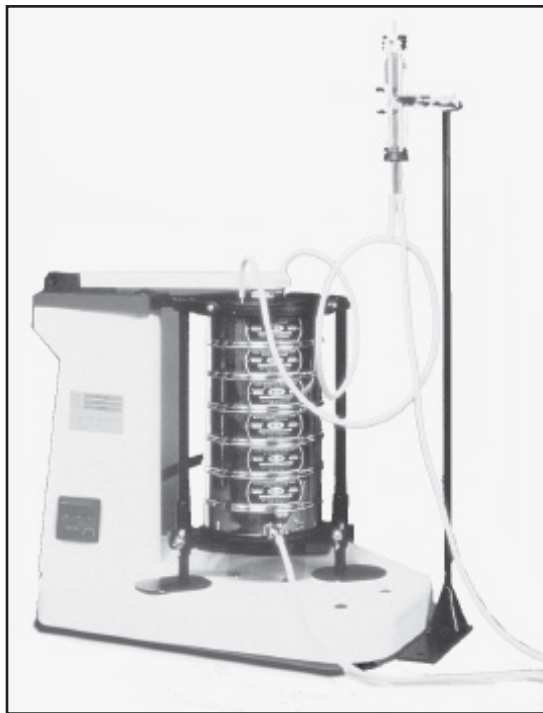
ULTRASONIC TEST SIEVE CLEANER

Produces ultrasonic vibrations in a cleaning fluid bath, which cause contaminants to become dislodged from both sieve frame and media.

- 8" or 200mm diameter test sieves only
- Compact and portable
- Stainless steel oscillation tank
- Built-in timer
- Unit weight: 12 lbs.
- Solution not included (mild detergent recommended)

PART #	PRICE (\$)
P-1405	

Dimensions — 9 1/2" diameter x 10" high (24cm x 25cm)



WET TEST SIEVING KIT

Allows for testing in wet environment when material is not soluble in water. (Kit does not include Ro-Tap® shaker)

- For use with W.S. Tyler Ro-Tap® RX-29 and RX-94 Sieve Shakers.
- Kit weight: 27 lbs.

MODEL	PART #	PRICE (\$)
RX-29	LA11112	
RX-94	LA11194	

COVER WITH SPOUT	
PART #	PRICE (\$)
8498	

PAN WITH SPOUT	
PART #	PRICE (\$)
8495	

- www.wstyler.com
- Customer Service 800.321.6188

SAMPLING DEVICES

Sampling Splitters

Reduces or halves material samples for making sieve tests. The Splitters maintain representative particle size distribution while reducing the original sample size.

Dimensions —

SS-50: Unit: 12" wide x 14" deep x 12" high (30cm x 36cm x 30cm)
Shipping: 14" wide x 16" deep x 16" high (36cm x 41cm x 41cm)

SS-100: Unit: 22" wide x 16" deep x 16" high (56cm x 41cm x 41cm)
Shipping: 24" wide x 26" deep x 16" high (61cm x 66cm x 41cm)

Weight —

SS-50: Unit: 10 lbs. (5 kg) SS-100: Unit: 25 lbs. (10 kg)
Shipping: 16 lbs. (7 kg) Shipping: 35 lbs. (12 kg)



PART #	DESCRIPTION	MAX. PARTICLE SIZE	PRICE (\$)
SS-50	Sample Splitter w/1/2" Discharge Chutes	1/8"	
SS-100	Sample Splitter w/1" Discharge Chutes	1/4"	

Spinning Riffler

The RX-230 Spinning Riffler uses a vibratory feeder to provide a constant flow of material from the stainless steel hopper. The vibrating feeder then feeds the sampling tubes from 1 to 16 individual samples. Each sample can then be capped and stored immediately, with minimal handling and little chance for outside contamination.

Spin riffling is the method of choice for sampling accuracy and reliability for dry, free flowing particles. This unit will virtually eliminate operator error and bias associated with other types of sampling devices.

The RX-230 Spinning Riffler includes a sixteen-port dividing head, a set of sixteen standard tube sample vessels, a sample drum to contain the vessels and a hopper plate for positioning the vessels in the drum. All of these parts are available as replacement parts.

Dimensions — 13" wide x 20 1/2" deep x 23" high

Weight — 25 lbs.

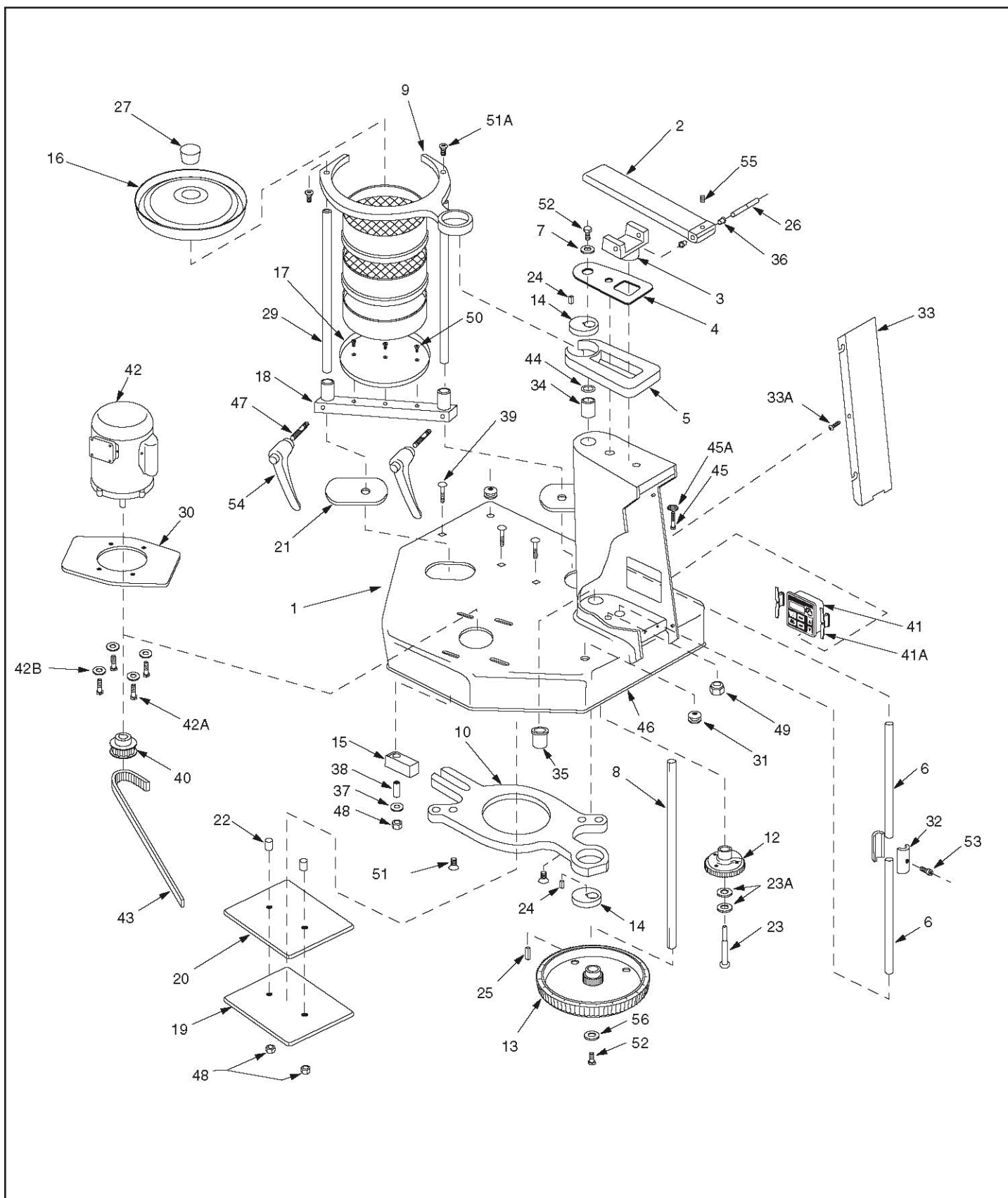
PART #	DESCRIPTION	PRICE (\$)
RX-230	Spinning Riffler	



RO-TAP® Conversion Kits

KIT PART NO.	DESCRIPTION	PRICE (\$)
RX-32	Ro-Tap, 12" Diameter to 8" Diameter Test Sieve Kit	
R-30033-1	Ro-Tap, 8" Diameter to 3" Diameter Test Sieve Kit	
R-40038	Ro-Tap Digital Timer Conversion Kit — 110 Volt	
R-40039	Ro-Tap Digital Timer Conversion Kit — 230 Volt	

RO-TAP® RX-29 AND RX-30 PARTS DIAGRAM



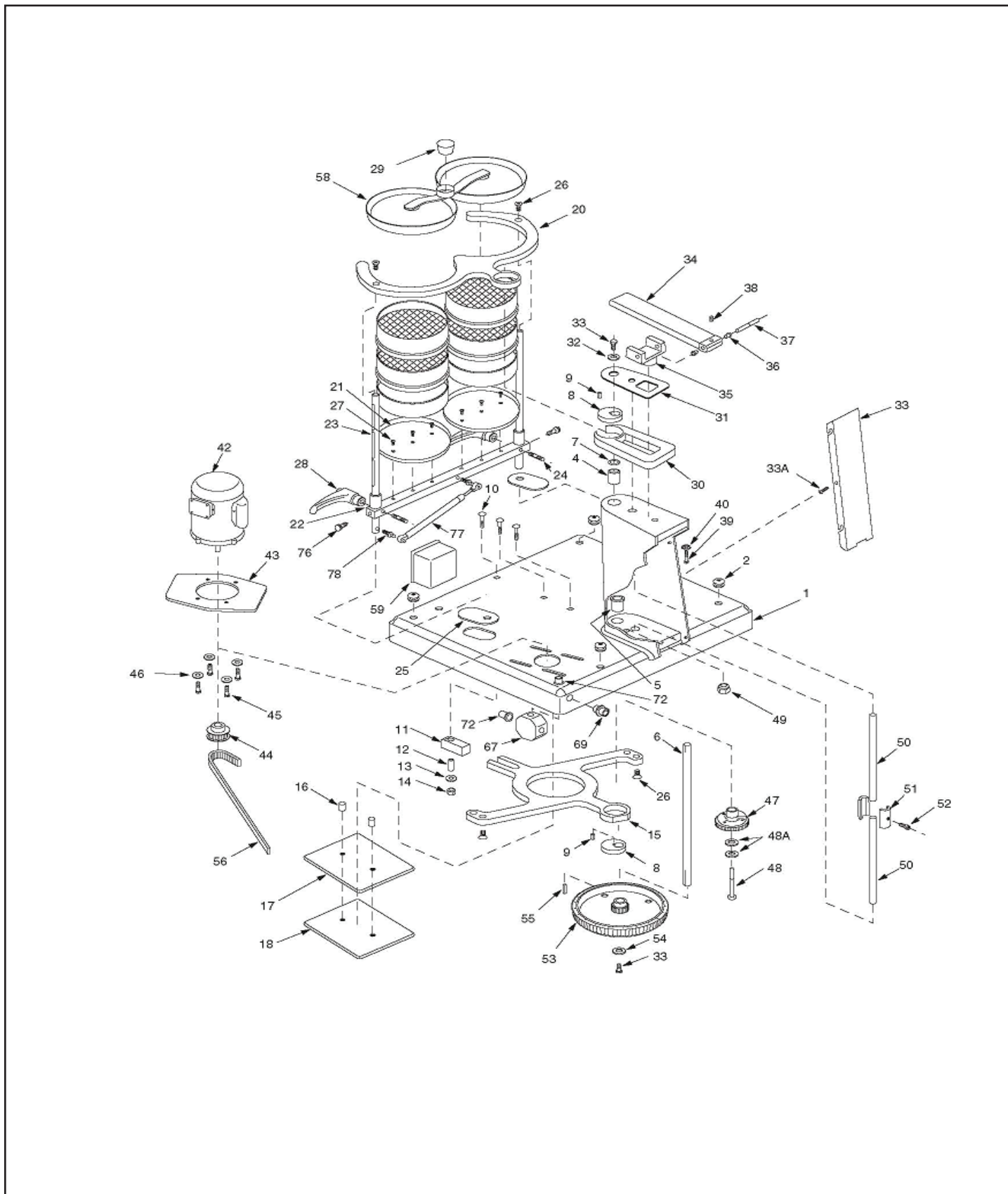
See Page 15 for Recommended Service Parts Kits

RO-TAP® RX-29 AND RX-30 PARTS

ITEM NO.	PART NO.	DESCRIPTION	REQ'D.	PRICE (\$)
1	107770	Base	1	
2	R-20029	Hammer	1	
3	R-20023	Hammer Block	1	
4	R-30019	Sheet Guard	1	
5	R-30010	Rotating Guard	1	
6	R-10036	Lift Rod	2	
7	R-10038	Upper Main Shaft Washer	1	
8	R-20027	Main Shaft	1	
9	R-30008	Upper Carrying Plate – RX29 – plastic	1	
9A	R-30008-1	Upper Carrying Plate – RX-29 – Heavy-Duty Cast Aluminum (see inset)	1	
9B *	R-30027	Upper Carrying Plate –RX-30–steel	1	
10	R-30009	Lower Carrying Plate	1	
12	R-20039	Cam Gear	1	
13	R-30015	Timing Belt Pulley	1	
14	R-10034	Eccentric Disc.	2	
15	R-10032	Block	1	
16	R-30007	Sieve Cover– RX-29	1	
16	R-30011	Sieve Cover – RX-30	1	
17	R-30006	Sieve Support Plate – RX-29	1	
17	R-30013	Sieve Support Plate – RX-30	1	
18	R-30023	Sieve Support Clamp Bar – RX-29	1	
18	R-30022	Sieve Support Clamp Bar – RX-30	1	
19	R-20019	Backup Plate	1	
20	R-20020	Bearing Plate	1	
21	R-20033	Shield	2	
22	R-10028	Tube Spacer	2	
23	R-10029	Cam Shoulder Screw	1	
23A	106582	1/2" I.D. Shim	2	
24	R-10042	Main Shaft Key to Eccentric	2	
25	R-10039	Main Shaft Key – Lower	1	
26	R-10035	Hammer Pin	1	
27	R-10066-A	Cork Plug - Mat'l Cork	1	
	R-10066-B	Cork Plug (optional) Mat'l Rubber	1	
29	R-10033	Tie Rod	2	
30	R-30018	Motor Adapter	1	
31	ZA11167	Grommet	2	
32	R-10030	Lift Rod Coupling (2.50" long)	1	
33	R-40011	Pedestal Cover	1	
34	R-10061	Flange Bearing	1	
35	R-10062	Bearing	1	
36	R-10063	Flange Bearing	2	
37	ZF10168	Thrust Washer	1	
38	R-10065	Steel Bushing	1	
39	ZF10174	3/8 - 16 NC x 2.25" Carriage Bolt	3	
40	R-10070	Sprocket – 14 teeth (1800 RPM) w/ Set Screw	1	
	R-10048	Sprocket – 17 teeth (1500 RPM) w/ Set Screw	1	
41	R-40029	Electronic Timer (110V)	1	
41	R-40037	Electronic Timer (220V)	1	
41A	R-40040	Timer Mounting Clip	2	
42	P-1500-23	Motor – 1/4 H.P. 115/230V 60/50Hz 1 Phase	1	
42A	ZF10183	3/8-16 x 1.00" Long Hex Head Screw	4	
42B	ZF10168	3/8 I.D. Flat Washer	4	
43	R-10058	Timing Belt	1	
44	R-10055	Shim	1	
45	ZZ10068	1/2 - 13 x 2.50" long Hex Hd. Bolt	1	
45A	ZZ10323	1/2 I.D. Lock Washer	1	
46	R-10052	Rubber Channel (7' long)	1	
47	R-10079	Clamp Screw	2	
48	ZF10221	3/8" Lock Nut	3	
49	ZF10222	1/2" Lock Nut	1	
50	ZF10231	10 - 32 x .50" Long Flat Head Socket Cap Scr.	3	
51	ZF10241	3/8 - 16 x .75" Long Flat Head Socket Cap Scr.	2	
51A	ZF10240	3/8 - 16 x .75" Long Hex Head Screw	2	
52	114162	3/8 - 16 x .62" Long Hex Hd. Screw	2	
53	ZF10251	5/16 - 24 x 1.25" Long Socket Head Cap Scr.	1	
54	R-20082	Adjustable Handles (pair)	1	
54A	R-20081	Wrench	1	
55	ZA10148	#10-24 x .25" Socket Hd. Set Screw	1	
56	ZF10271	3/8 I.D. x 1.50" O.D. Fender Washer	1	
60 *	R-10018	Timer Cord w/ Plug	1	
61 *	R-10112	Straight Connector (APC-050)	2	
62 *	107764	Flexible Conduit	1	

* Items not shown

RO-TAP® RX-94 PARTS DIAGRAM



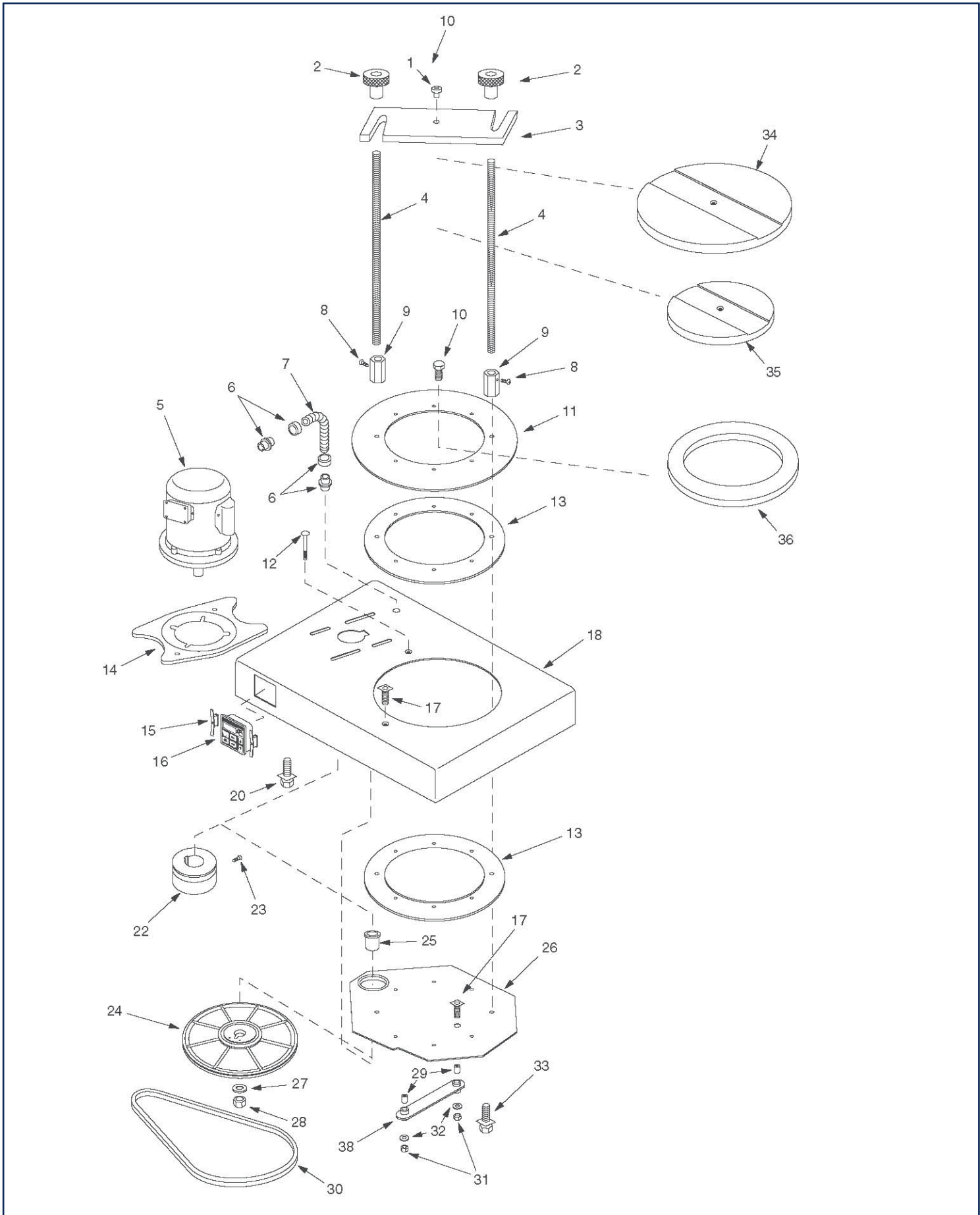
See Page 15 for Recommended Service Parts Kits

RO-TAP® RX-94 PARTS

ITEM NO.	PART NO.	DESCRIPTION	REQ'D.	PRICE (\$)
1	R-40023	Painted Base Weldment	1	
2	ZA11167	Grommet	4	
4	R-10061	Flanged Bearing	1	
5	R-10062	Bearing	1	
6	R-20027	Mainshaft	1	
7	R-10055	Shim 1.42 O.D. x .0155 Thick	1	
8	R-10034	Eccentric Disc	2	
9	R-10042	Main Shaft Key	2	
10	ZF10174	3/8-16 x 2.25" Carriage Bolt	3	
11	R-10032	Block	1	
12	R-10065	Steel Bushing .62 O.D. x .385 I.D. x 1.25"	1	
13	ZF10168	3/8" Flatwasher	1	
14	ZF10221	3/8-16 Locknut	1	
15	R-40017	Lower Carrying Plate	1	
16	R-10028	Tube Spacer	2	
17	R-20020	Bearing Plate	1	
18	R-20019	Back-Up Plate	1	
19	ZF10221	3/8-16 Locknut	2	
20	R-40019	Upper Carrying Plate	1	
21	R-30006	Support Plate	2	
22	R-40018	Dual Sieve Support Clamp Bar	1	
23	R-40021	Tie Rod	2	
24	R-10079	Clamp Screw	2	
25	R-20033	Shield	2	
26	ZF10241	3/8-16 x .75" long Flat Head Screw	4	
27	ZF10231	#10-32 x .50" long Flat Head Screw	6	
28	R-20082	Adjustable Handles (pair)	1	
28A	R-20081	Wrench	1	
29	R-10066-A	Cork Plug	1	
30	R-30010	Rotating Guard Assembly	1	
31	R-30019	Sheet Guard	1	
32	R-10038	Upper Mainshaft Washer	1	
33	114162	3/8-16 x .62" long Hex Head Cap Screw	2	
34	R-20029	8" Hammer	1	
35	R-20023	Hammer Block	1	
36	R-10063	Flanged Bearing	2	
37	R-10035	Hammer Pin	1	
38	ZA10148	#10-24 x .25" long Flat Point Socket Hd. Cap Screw	1	
39	ZZ10068	1/2-13 x 2.50" long Hex Head Bolt	1	
40	ZZ10323	1/2 I.D. Lockwasher	1	
41 *	R-10018	Standard Motor Cord w/Plug	1	
42	P-1500-23	Motor-1/4 HP115/230V60/50Hz1 phase (Motor runs CCW at Shaft End)	1	
43	R-30018	Motor Adapter Plate	1	
44	R-10070	Sprocket - 14 Teeth (1800 rpm) with Set Screw	1	
45	ZF10183	3/8-16 x 1.00" long Hex Head Screw	4	
46	ZF10168	3/8 I.D. Flat Washer	4	
47	R-20039	Cam Gear	1	
48	R-10029	Cam Shoulder Screw	1	
48A	106582	1/2 I.D. Shim	2	
49	ZF10222	1/2-13 Locknut	1	
50	R-10036	Lift Rod	2	
51	R-10030	Lift Rod Coupling	1	
52	ZF10251	5/16-24 x 1.25" long Socket Head Cap Screw	1	
53	R-30015	Timing Belt Pulley	1	
54	ZF10271	3/8 I.D. x 1.50" O.D. Fender Washer	1	
55	R-10039	Main Shaft Key (Lower)	1	
56	R-10058	Timing Belt	1	
57	R-40011	Pedestal Cover	1	
58	R-40020	Dual Sieve Cover	1	
59	R-40030	Timer Enclosure	1	
60 *	R-40029	Electronic Timer (110v)	1	
61	R-40037	Electronic Timer (220v)	2	
66	R-10118	3 1/4" Octagon Box (Appleton # 30)	1	
77	R-10099-30	Gas Spring (Guden #CGS24-30)	1	
78	114165	Spring Stud (Guden #BS101-02)	2	

* Items not shown

RX-812 COARSE SIEVE SHAKER PARTS DIAGRAM

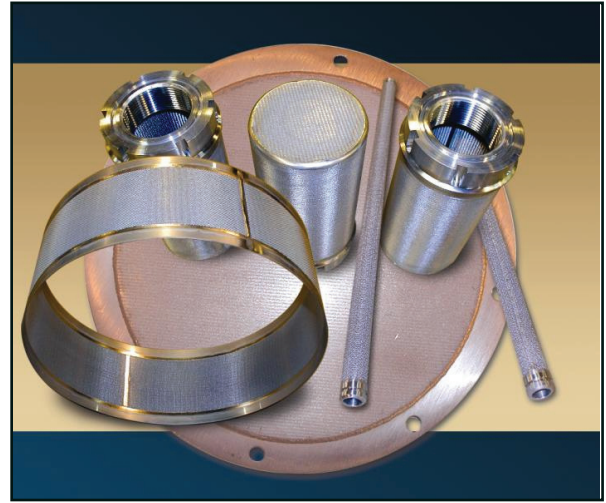


ADDITIONAL W.S. TYLER INDUSTRIAL GROUP PRODUCTS

FILTRATION PRODUCTS

W.S. Tyler's Engineered Filtration Products offer many metallic fabrications featuring Tyler's unique Porostar® sintered laminate. Products can be designed and fabricated to filter contaminants down to 1 micron in size.

Also included are extrusion disks, German Quality Filter Cloth, Premium Well Screens and other durable metallic products.



INDUSTRIAL SCREENING

W.S. Tyler works to create Customer Solutions through the Service, Engineering and Manufacturing of Premium Woven Wire Cloth Products.

For information about other W.S. Tyler products visit us at www.wstyler.com



ARCHITECTURAL DESIGN

W.S. Tyler's Architectural Design Wire Mesh reinforces our commitment to "green" and the environment. Tyler's large variety of stainless steel designs are both functional and ornamental.

Applications include energy saving building facades, low maintenance exterior cladding, sound absorption ceiling and wall systems and many other exciting possibilities. W.S. Tyler is a Registered Provider of AIA/CES Learning Units. www.weavingideas.net




W.S. Tyler Certified, Certified Plus and Matched Test Sieves are examined to meet ASTM and ISO specifications.

The openings of the sieves are measured with a computerized video imaging system. Products are then serialized and supplied with NIST traceable documents, including statistical information on opening sizes and wire diameters.

Shown here is a typical Document of Certification and descriptions of the terms used.

- A** Dimension Reference Number
1 = Wire Diameter "x" direction
2 = Aperture Size "x" direction
3 = Wire Diameter "y" direction
4 = Aperture Size "y" direction
- B** Sample Size* = Number of apertures or wire diameters measured
- C** Upper Spec. = Aperture size per ASTM E11 specification, plus tolerance
- D** Lower Spec. = Aperture size per ASTM E11 specification, minus tolerance
- E** Nominal = Specified aperture size, per ASTM E11 specification
- F** Standard Deviation = A numerical value that measures "spreading" tendency, a deviation of the values from their mean (average)
- G** Max. Measured = The largest aperture or wire diameter measured
- H** Min. Measured = The smallest aperture or wire diameter measured
- I** Range = The difference between the "max" and "min" above (rounded)
- J** Mean = Average aperture size or wire diameter measured
- K** Description = Test sieve designation/ mesh size
- L** Serial No. = Identification number of test sieves
- M** Histogram = Graphic presentation of values measured vs. corresponding number of apertures examined



W.S. TYLER


DOCUMENT OF CERTIFICATION

Based upon the data below, W.S. Tyler CERTIFIES that this sieve meets the requirements set forth by ASTM in Standard Specification for Woven Wire Test Sieve Cloth and Test Sieves Designation: E11-09, for Inspection Test Sieves. (W.S. Tyler Equivalent – Certified Test Sieve)

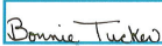
The data for this sieve was derived using a View Voyager 1212 optical imaging device, following internal work instruction # WI-750-006. The View -Voyager 1212 machine, serial # 361 was last calibrated on 9/23/2009 with calibration due on 10/01/2010. This optical calibration was performed using calibration standard, serial number: 65989-1 and is traceable to N.I.S.T by file No. 01-OGP-623860-4077

New certification
 Re-certification
 Sieve Visually Inspected
 Sieve cleaned

Wire Diameter	Opening Size
<p>Y Wire</p> <p>Sample Size 100 Upper Spec 0.15000 Lower Spec 0.10600 Nominal 0.12500</p> <p>Stan. Dev. 0.0007292 Max. Value 0.12137 Min Value 0.11550 Range 0.00587 Mean 0.11966</p> <div style="text-align: right; font-size: x-small;"> Calibration Date: 11/11/2009 Serial #: 0945321 Sieve Mesh: 80 </div>	<p>Y Opening</p> <p>Sample Size 100 Upper Spec 0.18760 Lower Spec 0.17240 Nominal 0.18000</p> <p>Stan. Dev. 0.0021302 Max. Value 0.18876 Min Value 0.17592 Range 0.01284 Mean 0.18370</p> <div style="text-align: right; font-size: x-small;"> Calibration Date: 11/11/2009 Serial #: 0945321 Sieve Mesh: 80 </div>
<p>X Wire</p> <p>Sample Size 100 Upper Spec 0.15000 Lower Spec 0.10600 Nominal 0.12500</p> <p>Stan. Dev. 0.0004055 Max. Value 0.13045 Min Value 0.12861 Range 0.00183 Mean 0.12956</p> <div style="text-align: right; font-size: x-small;"> Calibration Date: 11/11/2009 Serial #: 0945321 Sieve Mesh: 80 </div>	<p>X Opening</p> <p>Sample Size 100 Upper Spec 0.18760 Lower Spec 0.17240 Nominal 0.18000</p> <p>Stan. Dev. 0.0021445 Max. Value 0.18736 Min Value 0.17755 Range 0.00980 Mean 0.18243</p> <div style="text-align: right; font-size: x-small;"> Calibration Date: 11/11/2009 Serial #: 0945321 Sieve Mesh: 80 </div>


 Laboratory Technician


11/11/09
 Date


 Reviewed By

11-11-09
 Date

Quality • Service • Value

8570 Tyler Blvd. • Mentor Ohio 44060 • 800-321-6188 • 440-974-1047 • fax 440-974-0921 • www.wst Tyler.com


See Laboratory Services on
Pages 12 and 13.

